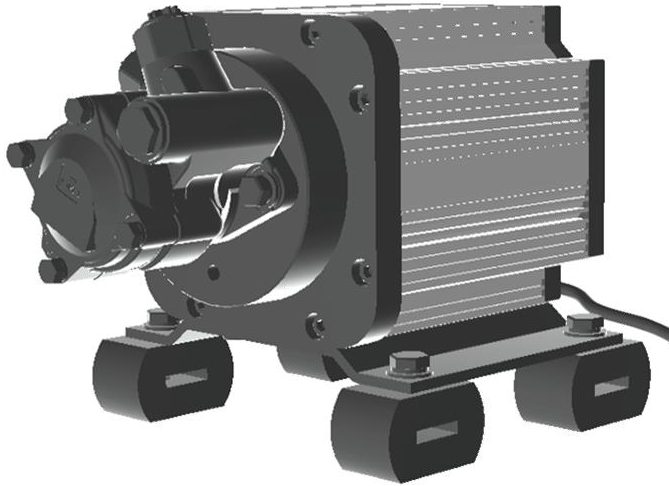


Heavy Duty Electric Steering Pump



**Proven in Thousands of
Commercial EVs & HEVs**

- **Highly Efficient**
- **Permanent Magnet Motor**
- **Reservoir Included**
- **Optional matched 5.5kW 600V Inverter (eAD5.5HV)**
- **Compact Design**
- **Very Low Noise**
- **Meets Conventional Truck & Bus Requirements**
- **Extremely Low Maintenance**

GENERAL SPECIFICATIONS

Model #:	eHPS3.0HV
Motor Type:	3.0kW Highly Efficient PM
Inverter Voltage:	500-750 VDC
Inverter Control	CAN 2B
Rated Flow at Pressure:	4.2gpm (16lpm) at 1450 psi (10MPa) continuous 4.2gpm (16lpm) at 2755psi (17MPa) for 2 minutes
Peak Flow/Pressure:	4.2 gpm/2900 psi (16lpm/20MPa)
Ambient Temperature:	-40C to 85C
Environmental Protection:	IP67
Weight:	84.7 lbs (38.5 kg)
Dimensions:	16.3"L × 12.7"W × 10.0"H (414mm × 323mm × 254mm)